

Adaptation Table

Model No. of servo motor	Torque (N.m)	Max-speed (rpm)	Power (kW)	Rated current (Arms)	Rotor inertia ($\times 10^{-3} \text{kg.m}^2$)	Recommended servo drive	Power cable	Encoder cable	Brake cable
GSL Series									
060GSL00630	0.64	3000 (6000)	0.20	1.70	0.031	DL04	P□□□-04075A04	Incremental encoder: E□□□-DB15□□A15 Absolute value encoder: E□□□-DB09□□A15	B□□□-02050A02
060GSL01330	1.27	3000 (6000)	0.40	2.70	0.056	DL04			
080GSL01330	1.27	3000 (6000)	0.40	2.40	0.099	DL04			
080GSL02430	2.39	3000 (6000)	0.75	5.10	0.15	DL08			
MSL Series									
060MSL00630	0.64	3000 (6000)	0.20	1.70	0.017	DL04	P□□□-04075A04	Incremental encoder: E□□□-DB15□□A15 Absolute value encoder: E□□□-DB09□□A15	B□□□-02050A02
060MSL01330	1.27	3000 (6000)	0.40	2.70	0.027	DL04			
080MSL01330	1.27	3000 (6000)	0.40	2.40	0.068	DL04			
080MSL02430	2.39	3000 (6000)	0.75	5.10	0.113	DL08			
080MSL03230	3.18	3000 (6000)	1.00	6.50	0.113	DL15			
130MSL04025	4.00	2500 (4000)	1.00	5.10	0.48	DL15	P□□□-04150H04	Incremental encoder: E□□□-DB15□□H15 Absolute value encoder: E□□□-DB09□□H15	B□□□-02050H03
130MSL04820	4.77	2000 (4000)	1.00	5.80	0.48	DL15			
130MSL05025	5.00	2500 (4000)	1.30	6.10	0.48	DL15			
MAL Series									
110MAL04030	4.00	3000 (4000)	1.26	5.30	0.31	DL15	P□□□-04150H04	Incremental encoder: E□□□-DB15□□H15 Absolute value encoder: E□□□-DB09□□H15	B□□□-02050H03
110MAL06030	6.00	3000 (3500)	1.88	6.60	0.50	DL15			
130MAL06025	6.00	2500 (3000)	1.57	5.90	0.65	DL15			
130MAL10015	10.00	1500 (2000)	1.57	6.60	0.94	DL15			

Note: 1. 3 digits "□□□" reserved in adaptation table is the cable length specification, more details please refer to the cable specification.
2. 2 digits "□□" reserved in adaptation table is the encoder specifications, "F0" is compound incremental encoder, "F1" is wire-saving incremental encoder.



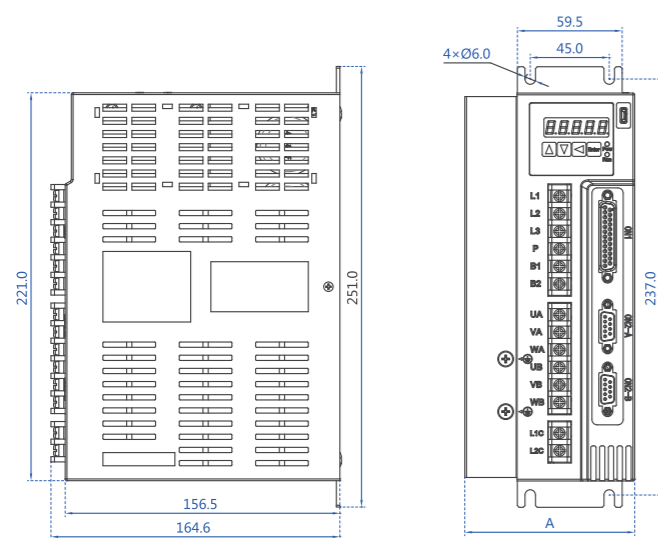
SD200 Series Dual Axis Pulse Servo System



Technical Parameter

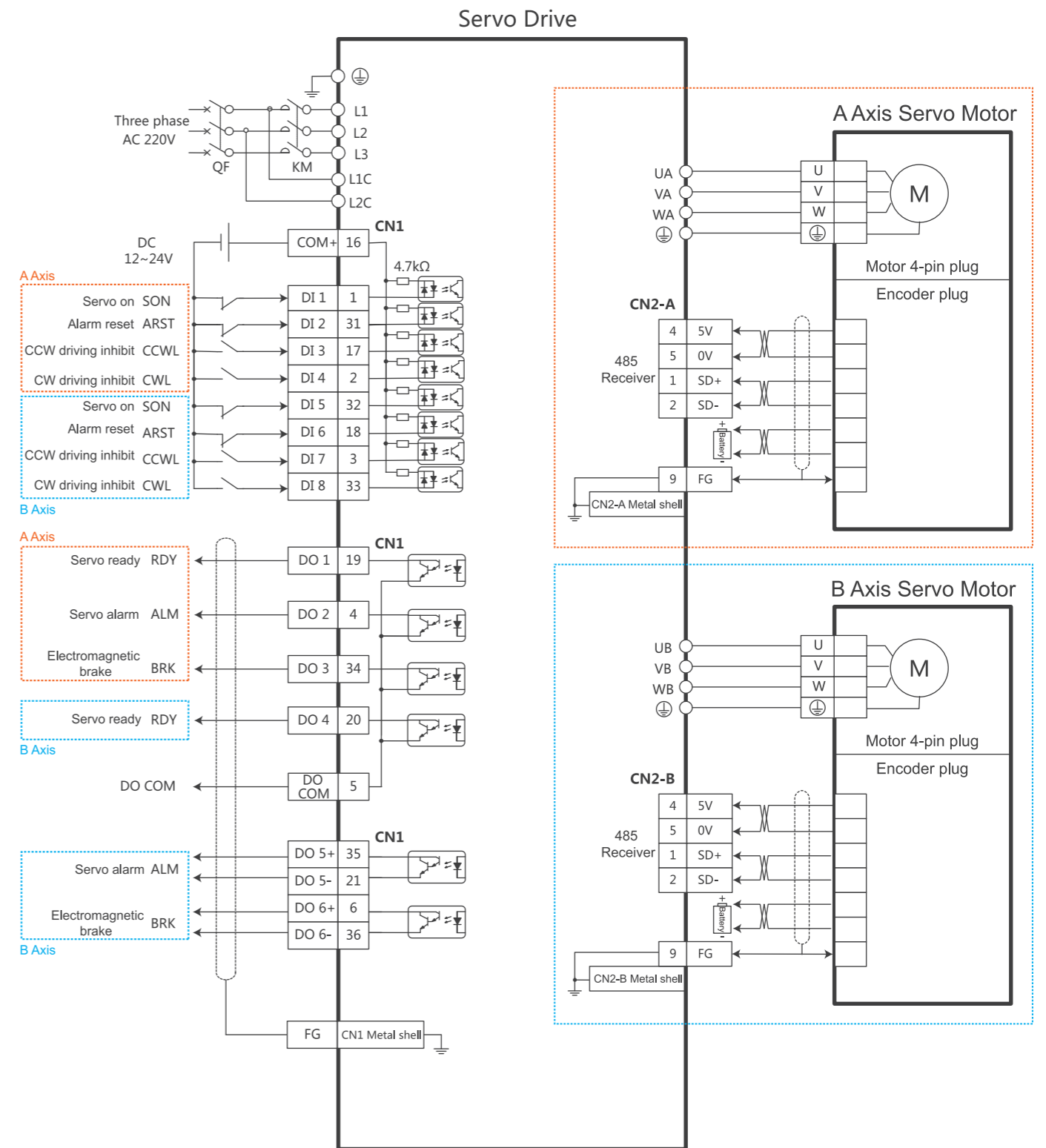
SD200 Dual Axis Series		DL04	DL08	DL15
Input Power		Three phase AC220V	-15% ~ +10%	50/60Hz
Power of Single Axis		400W	800W	1.5kW
Rated Current of Single Axis		3.0	5.0	7.0
Environment	Temperature	Operation : 0°C ~ 40°C		Storage : -40°C ~ 50°C
	Humidity	Operation : 40% ~ 80%(no condensation)		Storage : 93% below (no condensation)
	Atmospheric Pressure	86kPa ~ 106 kPa		
Protection Grade		IP20		
Dynamic Braking		Optional		
Regenerative Braking		Internal / external optional		
Feedback Mode		High resolution absolute value encoder / magnetic encoder		
Control Mode		Position / speed		
Digital Input		8 programmable input terminals(optoelectronic isolation)		
Digital Output		6 programmable output terminals(optoelectronic isolation)		
Encoder Signal Output		Signal type	A, B, Z line driver, Z open collector	
Position	Input Frequency	Differential input: ≤ 1000kHz (kpps) Single ended input: ≤ 200kHz (kpps)		
	Instruction Mode	Pulse + direction, forward / reverse pulse, A phase+B phase pulse		
	Electronic Gear Ratio	1 ~ 32767/1 ~ 32767		
Speed Torque	Analog	± 10V		
Monitoring Functions		Rotate speed, current position, position deviation, electrode torque, motor current, instruction pulse frequency , etc		
Protection Functions		Overspeed, overvoltage, overcurrent, overload, brake error, encoder error, excessive position deviation, etc		
Characteristics	Speed Frequency Response	≥ 300Hz		
	Speed Fluctuation Rate	< ± 0.03%(load 0 ~ 100%); < ± 0.02%(power -15% +10%)		
	Speed Ratio	1 : 5000		

Dimensional Drawing



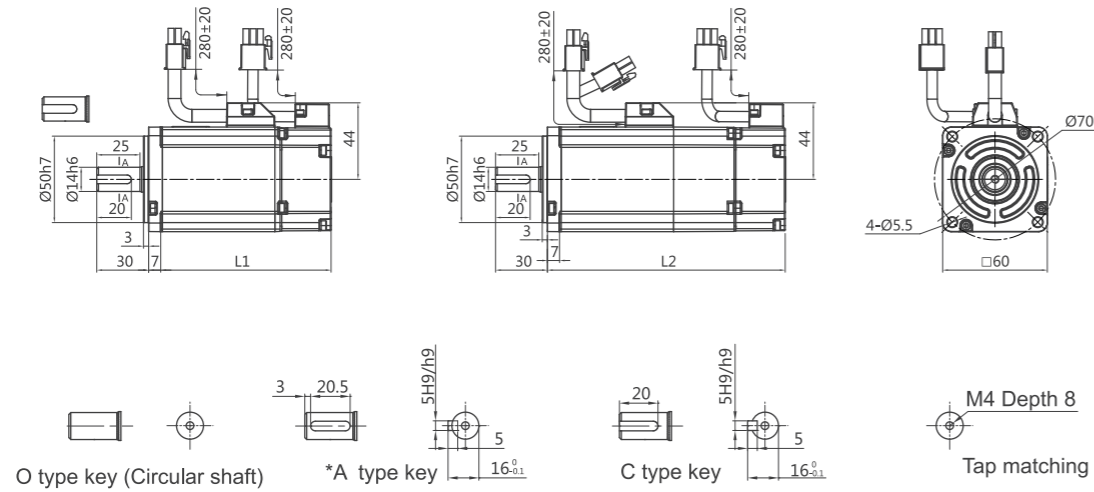
Model No	DL04	DL08/DL15
Dimension (mm)	82	97

Control Mode



GS 60 Series Motor Dimensions

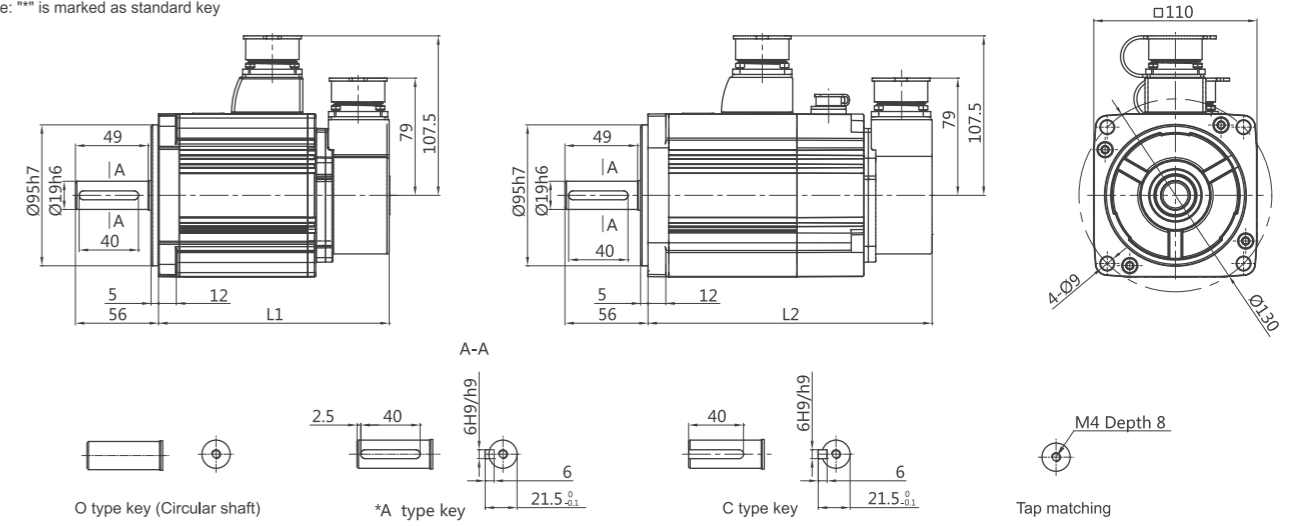
Note:A,C type key base on standard GB/T1096-2003.



Rated torque (N·m)	0.64	1.27
L(mm)	L1: 88.5	L2: 120.5
	L1: 105.5	L2: 137.5

MA 100 Series Motor Dimensions

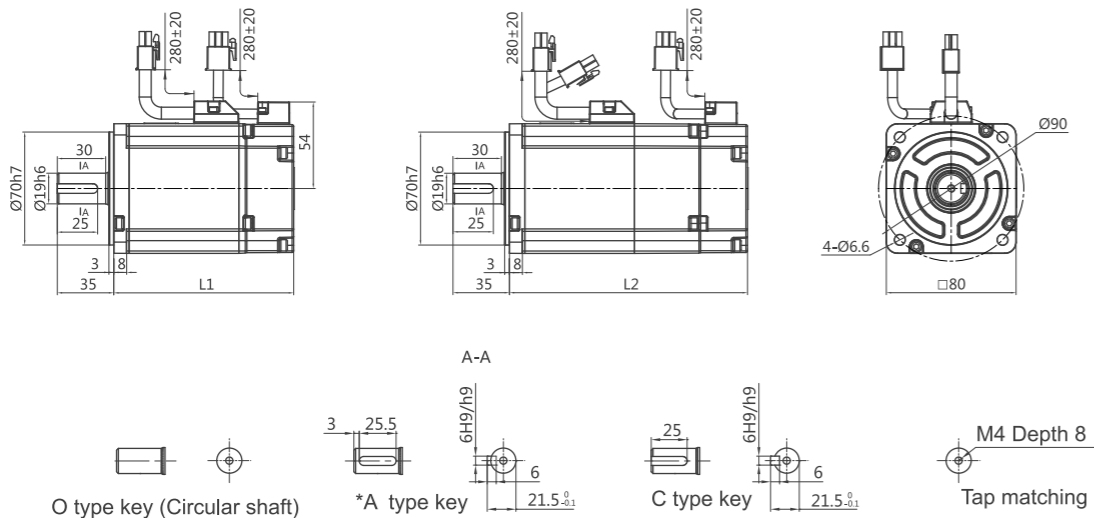
Note: "" is marked as standard key



Rated torque (N·m)	4.00	6.00
L(mm)	L1: 163.5	L2: 199.5
	L1: 195.5	L2: 231.5

GS 80 Series Motor Dimensions

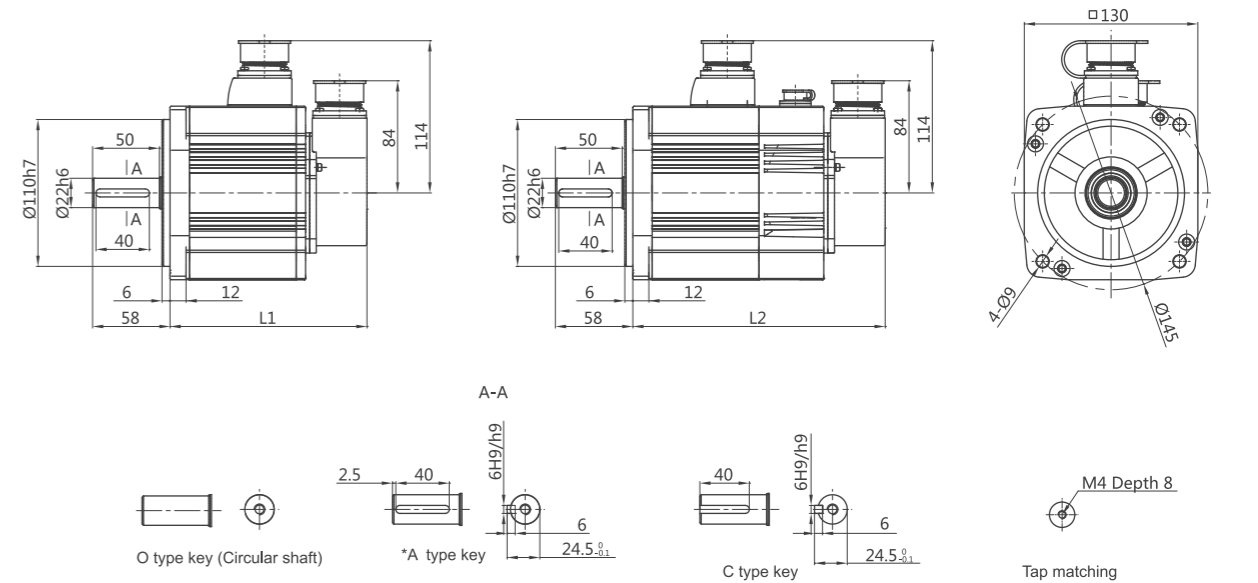
Note:A,C type key base on standard GB/T1096-2003.



Rated torque (N·m)	1.27	2.39
L(mm)	L1: 96.5	L2: 132.5
	L1: 111.5	L2: 147.5

MS/MA 130 Series Motor Dimensions

Note: "" is marked as standard key



Model No	MSL						MAL				
Rated torque (N·m)	4.00	4.77	5.00	7.16	9.55	10.00	14.30	6.00	7.70	10.00	15.00
L(mm)	L1: 147.5	L1: 167.5	L1: 189.0	L1: 167.5	L1: 187.5	L1: 209.0	L1: 227.5	L1: 204.0	L1: 219.0	L1: 227.5	L1: 227.5
	L2: 189.0	L2: 209.0	L2: 229.0	L2: 209.0	L2: 229.0	L2: 269.0	L2: 269.0	L2: 204.0	L2: 219.0	L2: 229.0	L2: 269.0

Servo Drive Model Description

SD200 - D L 15 - B0 S0 M
 ① ② ③ ④ ⑤

Code	Main power supply voltage
L	AC 220V

Code	Support rated power of motor
04	0.4kW + 0.4kW
08	0.8kW + 0.8kW
15	1.5kW + 1.5kW

Code	Encoder
B0	Serial incremental encoder
E3	Serial absolute encoder
C0	Magnetic encoder

Code	Control mode
S0	Standard 5V differential signal input
S3	Standard 24V single terminal signal input

Code	Communication protocol
M	Modbus

Servo Motor Model Description

110 MA L 040 30 B N O 1 Y1
 ① ② ③ ④ ⑤ ⑥ ⑦ ⑧ ⑨ ⑩

Code	The base number
040	40mm
060	60mm
080	80mm
110	110mm
130	130mm
180	180mm

Code	Motor model
MS	MS Series servo motor
MA	MA Series servo motor
GS	GS Series servo motor
GA	GA Series servo motor

Code	Main power supply voltage
L	AC 220V
H	AC 380V

Code	Rated torque (N·m)
040	4.00N·m
050	5.00N·m
060	6.00N·m
096	9.55N·m
100	10.00N·m

Code	Rated speed
10	1000rpm
15	1500rpm
20	2000rpm
25	2500rpm
30	3000rpm

Code	Encoder
B	23bit incremental encoder
M	23bit absolute value encoder
C	17bit magnetic encoder

Code	Brake
N	Without
Z	With

Code	Specifications
O	Circular shaft
A	Closed key
C	Forelock key

Code	Specifications
1	Default
2	Customer Settings

Code	Plug type
A [Note]	A [Note] Amp Plug
H [Note]	H [Note] Aviation plug
Y1	60、80 Motor round plug
Y2	60、80 Motor waterproof plug

Note: "A" is the standard plug of 40, 60, 80 motor, "H" is the standard plug of 110, 130 and 180 motor, omitted from model

Cable Model Description

P □□□ - 04 075 A04
 ① ② ③ ④ ⑤

Code	Cable type
P	Power cable
B	Brake cable

Code	Cable length
030	3m
050	5m
070	7m
100	10m

Code	Qty of pin	Motor classification					
		40	60	80	110	130	180
02	2 pin brake cable	√	√	√	√	√	√
04	4 pin power cable	√	√	√	√	√	√
06	6 pin power and brake cable	√					

Code	Cable specification
050	0.50mm ²
075	0.75mm ²
150	1.50mm ²
250	2.50mm ²
400	4.00mm ²
600	6.00mm ²

Code	Motor power / brake connector	Type	Motor classification					
			40	60	80	110	130	180
A02	2-pin amp plug	B	√	√				
A04	4-pin amp plug	P	√	√				
A06	6-pin amp plug [note]	P	√					
Y1/Y2 02	2-pin round plug	B	√	√				
Y1/Y2 04	4-pin round plug	P	√	√				
H03	3-pin aviation plug	B			√	√	√	
H04	4-pin aviation plug	P			√	√		
H04B	4-pin aviation plug	P						√

Note: "A" is the standard plug of 40, 60, 80 motor, "H" is the standard plug of 110, 130 and 180 motor, omitted from model

E □□□ - DB09 □□ A09
 ① ② ③ ④ ⑤

Code	Cable type
E	Encoder cable

Code	Cable length
030	3m
050	5m
070	7m
100	10m

Code	Plug specification
DB09	Multi-turn absolute value / incremental
DB09	Resolver
DB15	Standard incremental / wire-saving incremental
S261	S261 encoder terminal

Code	Encoder specification
F0	Standard incremental encoder
F1	Wire-saving incremental encoder
B0	Incremental subdivision encoder
E0	Multi-turn absolute value encoder / magnetic encoder
R0	Resolver encoder

Code	Motor side encoder connector	Motor classification					
		40	60	80	110	130	180
Y1/Y2 09	9-pin round plug	√	√				
Y1/Y2 15	15-pin round plug	√	√				
A09	9-pin amp plug	√	√	√			
A15	15-pin amp plug	√	√				
H15	15-pin aviation plug			√	√	√	
H07	Special specifications						
H09							