

Adaptation Table

Model No of servo motor	Torque (N.m)	Max-speed (rpm)	Power (kW)	Rated current Amp	Rotor inertia ($\times 10^{-3} \text{kg.m}^2$)	Recommended servo drive	Power cable	Encoder cable	Brake cable			
MSL Series												
060MSL00630	0.64	3000 (6000)	0.20	1.70	0.017	L04	P□□□-04075A04	Incremental encoder : E□□□-DB15□□A15 Absolute value encoder : E□□□-DB09□□A15	B□□□-02050A02			
060MSL01330	1.27	3000 (6000)	0.40	2.70	0.027	L04						
080MSL01330	1.27	3000 (6000)	0.40	2.40	0.068	L04						
080MSL02430	2.39	3000 (6000)	0.75	5.10	0.113	L08						
080MSL03230	3.18	3000 (6000)	1.00	6.50	0.113	L15	P□□□-04150H04	Incremental encoder : E□□□-DB15□□H15 Absolute value encoder : E□□□-DB09□□H15	B□□□-02050H03			
130MSL04025	4.00	2500 (4000)	1.00	5.10	0.48	L15						
130MSL04820	4.77	2000 (4000)	1.00	5.80	0.48	L15						
130MSL05025	5.00	2500 (4000)	1.30	6.10	0.48	L15						
130MSL07220	7.16	2000 (4000)	1.50	8.60	0.71	L25						
130MSL09620	9.55	2000 (4000)	2.00	11.30	0.94	L25						
130MSL10025	10.00	2500 (4000)	2.60	11.50	0.94	L25						
130MSL14320	14.30	2000 (3500)	3.00	14.10	1.41	L25						
MAL Series												
110MAL04030	4.00	3000 (4000)	1.26	5.30	0.31	L15				P□□□-04150H04	Incremental encoder : E□□□-DB15□□H15 Absolute value encoder : E□□□-DB09□□H15	B□□□-02050H03
110MAL06030	6.00	3000 (3500)	1.88	6.60	0.50	L15						
130MAL06025	6.00	2500 (3000)	1.57	5.90	0.65	L15						
130MAL07725	7.70	2500 (3000)	2.02	7.70	0.83	L25						
130MAL10015	10.00	1500 (2000)	1.57	6.60	0.94	L15						
130MAL15015	15.00	1500 (2000)	2.36	9.50	1.41	L25						

Note: 1. 3 digits '□□□' reserved in adaptation table is the cable length specification, more details please refer to the cable specification.
2. 2 digits '□□' reserved in adaptation table is the encoder specifications, 'F0' is compound incremental encoder, 'F1' is wire-saving incremental encoder.



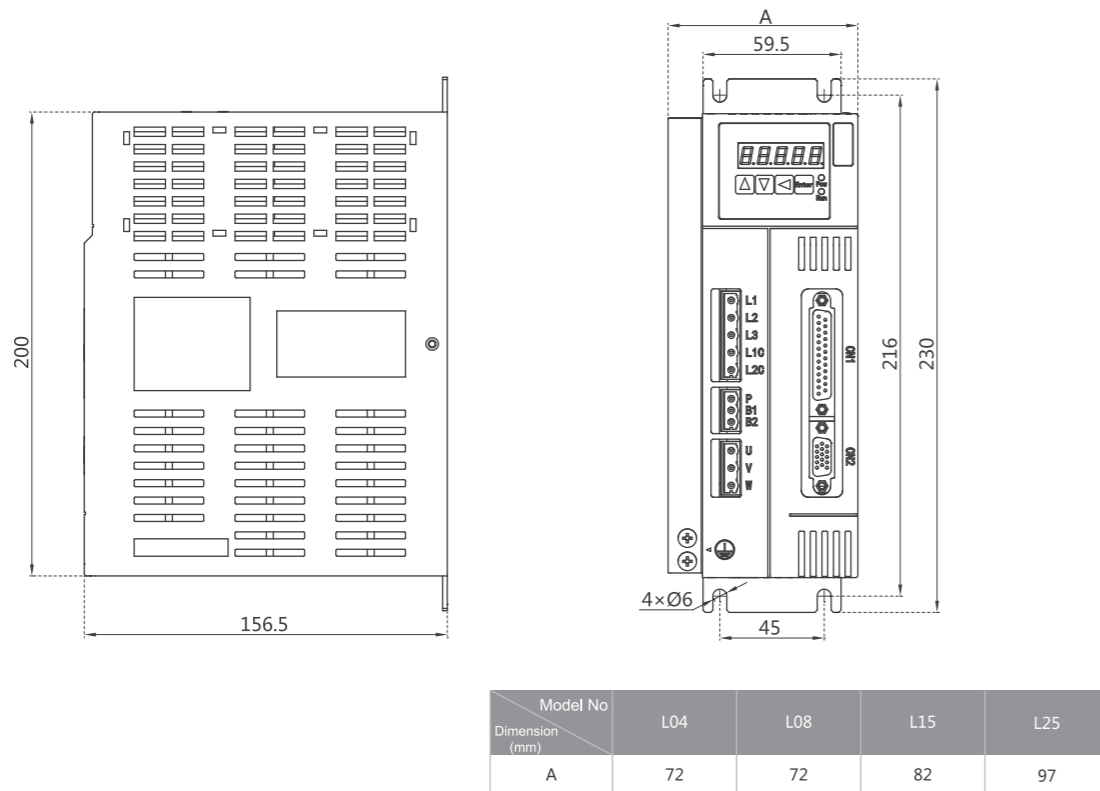
SD100 Series Position Control Servo System



■ Technical Parameter

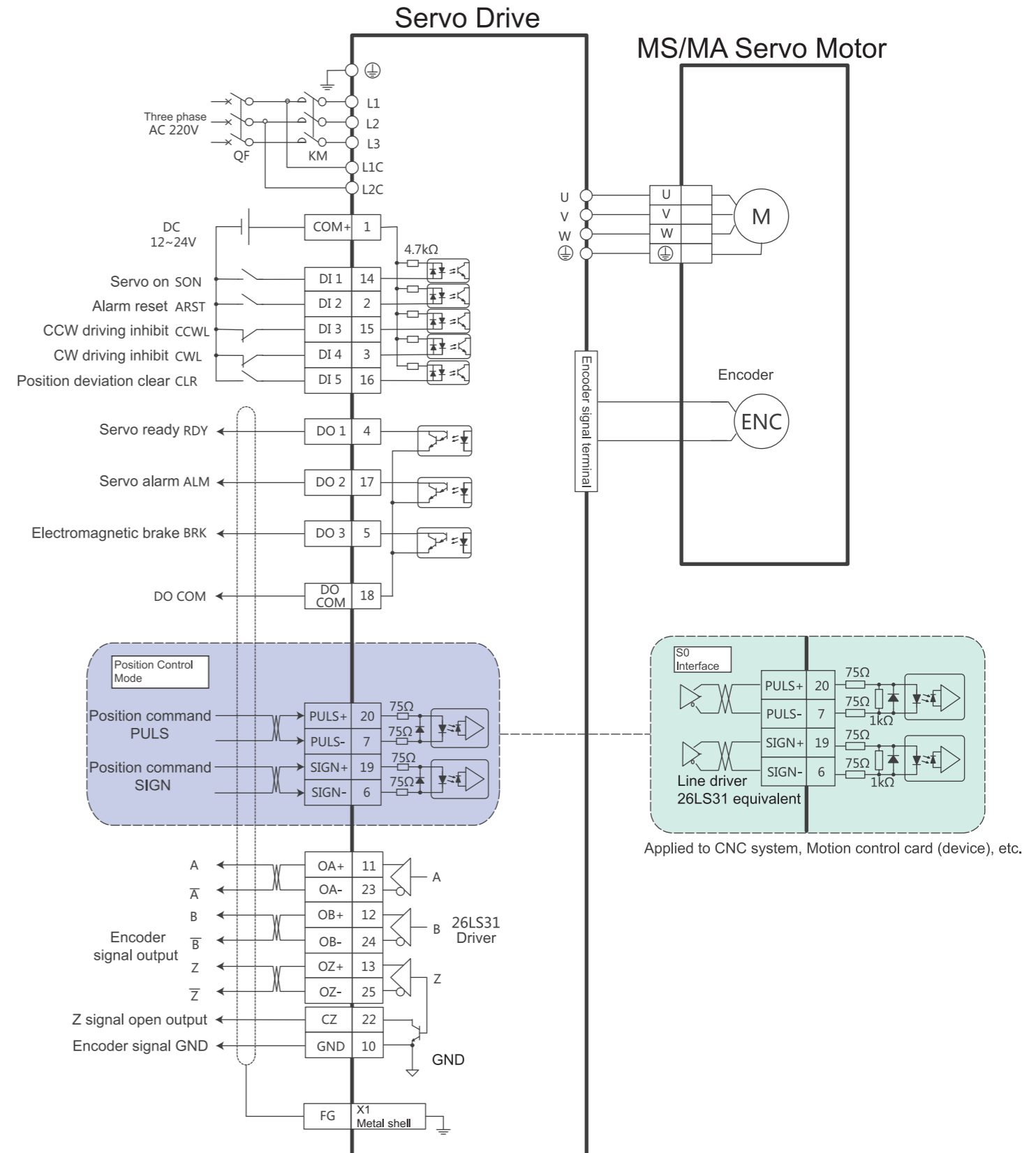
Model No.		L04	L08	L15	L25
Rated Current (Arms)		2.5	5.0	7.0	10.0
Peak Current (Arms)		7.2	10.0	13.0	18.0
Rated Output Power (kW)		0.4	0.8	1.5	2.5
Power Supply	Main Power	Three phase/single phase 220VAC -15%~+10% 50/60Hz			
	Control Power	Single phase 220VAC -15%~+10% 50/60Hz			
Environment	Temperature	Operation : 0°C~40°C Storage : -40°C~50°C			
	Humidity	Operation : 40%~80% (no condensation) Storage : 93% below (no condensation)			
	Atmospheric Pressure/Protection Grade	86kPa~106kPa / IP20			
Digital Input / Output		5 programmable input /3 programmable output			
Regenerative Braking		Built in brake resistor / external rake resistor optional			
Feedback Mode		Incremental encoder / Absolute value encoder / Magnetic encoder			
Control Mode		Position control mode			
Protection Functions		Overspeed, overvoltage, overcurrent, overload, brake error, encoder error, excessive position deviation, etc			
Speed Response Characteristics		Vector contro algorithm , ≥300Hz , speed ratio : 1:5000			
Speed Fluctuation Rate		< ±0.03%(load0%~100%) , < ±0.02%(power -15%~+10%)			

■ Dimensional Drawing



Note: 1. Without terminals and connectors, the bending radius of the connecting cable must be considered.
 2. When the encoder is E3, CN2 terminal will be DB09.
 3. For higher performance servo system, please select SD1000 / SD1000A series, please consult sales staff for details

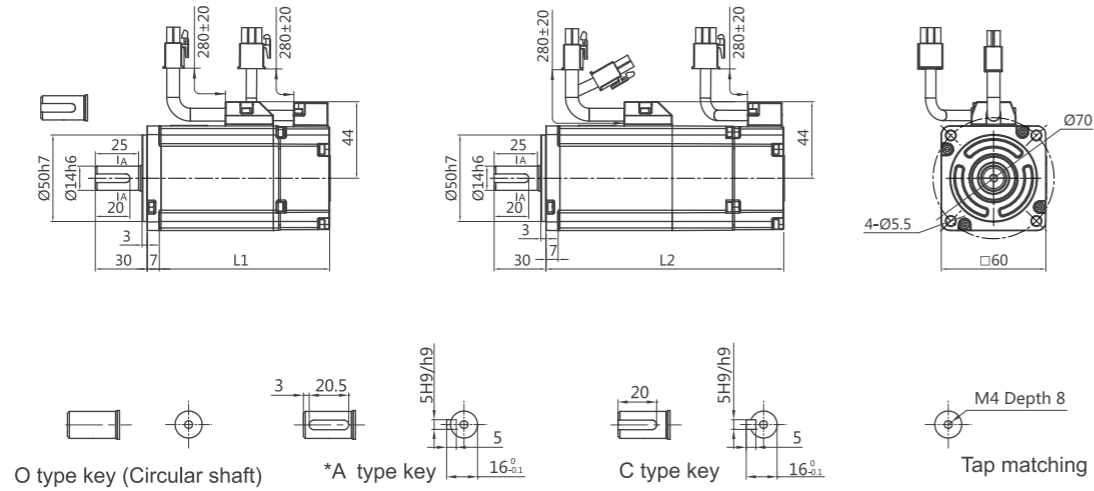
■ Position Control Mode



Applied to CNC system, Motion control card (device), etc.

■ GS 60 Series Motor Dimensions

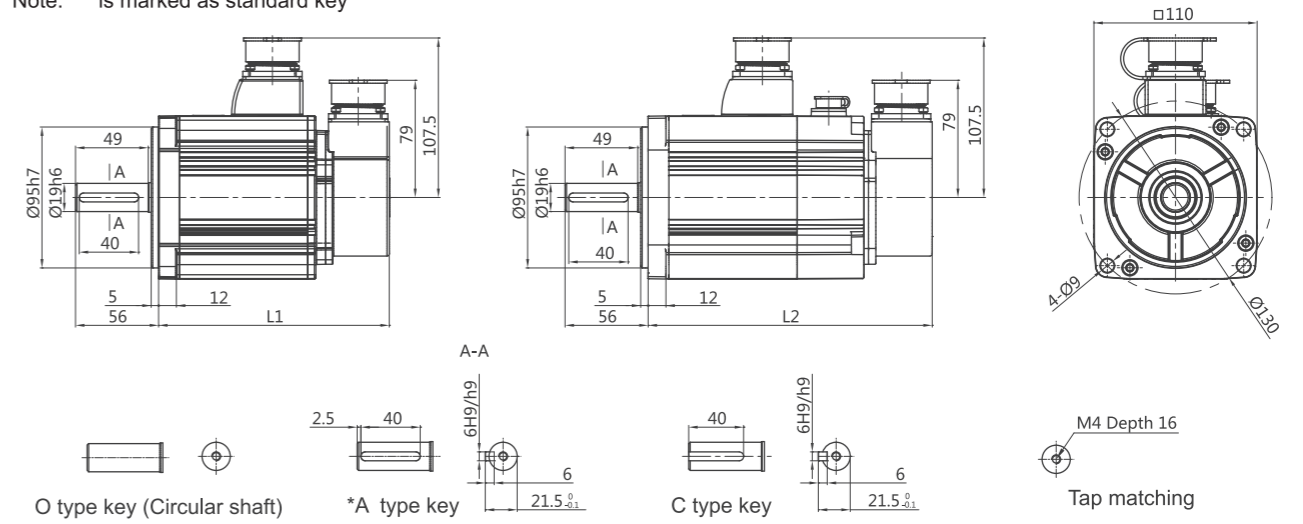
Note:A,C type key base on standard GB/T1096-2003.



Rated torque (N·m)		0.64	1.27
L(mm)	L1	88.5	105.5
	L2	120.5	137.5

■ MS/MA 110 Series Motor Dimensions

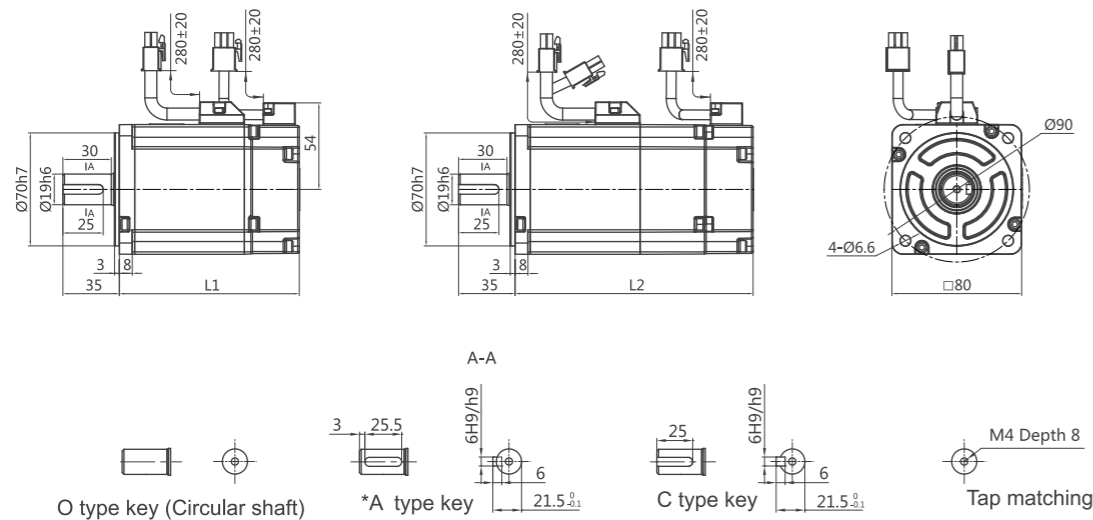
Note: "*" is marked as standard key



Rated torque (N·m)		4.00	6.00
L(mm)	L1	163.5	195.5
	L2	199.5	231.5

■ GS 80 Series Motor Dimensions

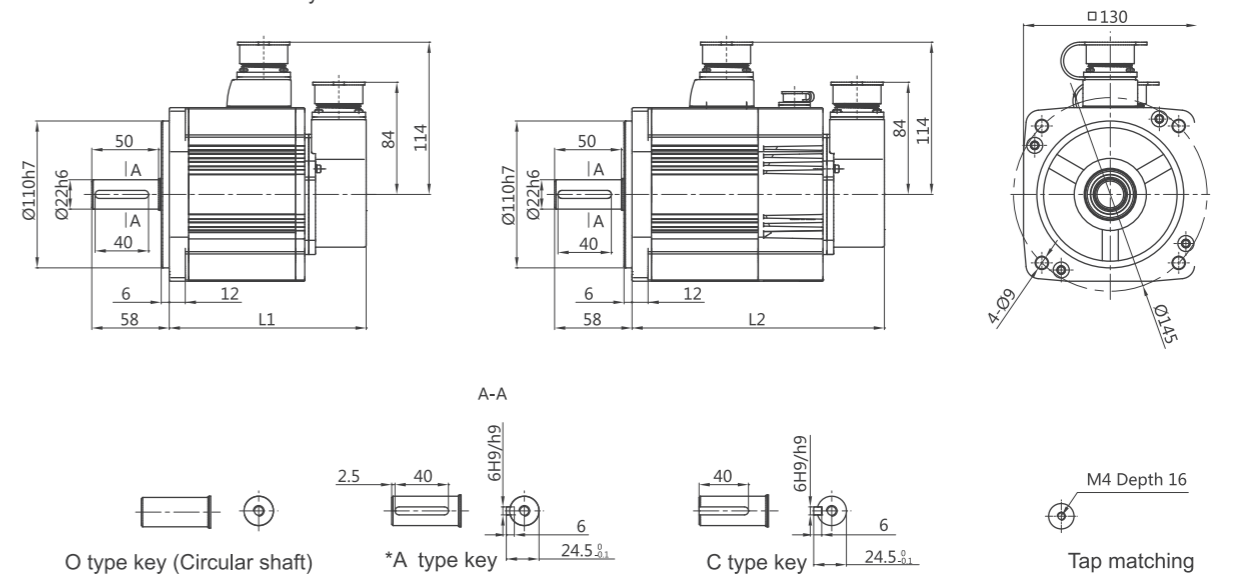
Note:A,C type key base on standard GB/T1096-2003.



Rated torque (N·m)		1.27	2.39
L(mm)	L1	96.5	111.5
	L2	132.5	147.5

■ MS/MA 130 Series Motor Dimensions


Note: "*" is marked as standard key



Model No		MSL					MAL					
Rated torque (N·m)		4.00	4.77	5.00	7.16	9.55	10.00	14.30	6.00	7.70	10.00	15.00
L(mm)	L1	147.5	167.5	187.5	227.5	269.0	204.0	219.0	162.5	177.5	187.5	227.5
	L2	189.0	209.0	229.0	269.0	299.0	204.0	219.0	162.5	177.5	187.5	227.5

Servo Drive Model Description

SD100 - L 15 - F0 S0 □
 ① ② ③ ④ ⑤

①	Code	Main power supply voltage	③	Code	Encoder
	L	220V		F0	Incremental encoder
				E3	Absolute value encoder
				C0	Magnetic encoder
②	Code	Support rated power of motor	④	Code	Control mode
	04	0.4kW		S0	Standard 5V differential signal input
	08	0.8kW			
	15	1.5kW	⑤	Code	Communication protocol
	25	2.5kW		M	

Servo Motor Model Description

110 MA L 040 30 B N O 1 Y1
 ① ② ③ ④ ⑤ ⑥ ⑦ ⑧ ⑨ ⑩

①	Code	The base number	⑥	Code	Encoder
	040	40mm		B	23bit incremental encoder
	060	60mm		M	23bit absolute value encoder
	080	80mm		C	17bit magnetic encoder
	110	110mm	⑦	Code	Brake
	130	130mm		N	Without
	180	180mm		Z	With
②	Code	Motor model	⑧	Code	Specifications
	MS	MS Series servo motor		O	Circular shaft
	MA	MA Series servo motor		A	Closed key
	GS	GS Series servo motor		C	Forelock key
	GA	GA Series servo motor	⑨	Code	Specifications
③	Code	Main power supply voltage		1	Default
	L	AC 220V		2	Customer Setting
	H	AC 380V	⑩	Code	Plug type
④	Code	Rated torque (N·m)		A [Notel]	Amp Plug
	040	4.00N.m		H [Notel]	Aviation plug
	050	5.00N.m		Y1	60、80 Motor round plug
	060	6.00N.m		Y2	60、80 Motor waterproof plug
	096	9.55N.m			
	100	10.00N.m			
⑤	Code	Rated speed (rpm)			
	10	1000rpm			
	15	1500rpm			
	20	2000rpm			
	25	2500rpm			
	30	3000rpm			

Note: "A" is the standard plug of 40, 60, 80 motor, "H" is the standard plug of 110, 130 and 180 motor, omitted from model

Cable Model Description

P □□□ - 04 075 A04
 ① ② ③ ④ ⑤

①	Code	Cable type		
	P	Power cable		
	B	Brake cable		
②	Code	Cable length		
	030	3m		
	050	5m		
	070	7m		
	100	10m		
③	Code	Qty of pin	Motor classification	
	02	2 pin brake cable	40 60 80 110 130 180	
	04	4 pin power cable	√ √ √ √ √ √	
	06	6 pin power and brake cable	√	
④	Code	Cable specification		
	050	0.50mm ²		
	075	0.75mm ²		
	150	1.50mm ²		
	250	2.50mm ²		
	400	4.00mm ²		
	600	6.00mm ²		
⑤	Code	Motor power / brake connector	Type	Motor classification
	A02	2-pin amp plug	B	√ √
	A04	4-pin amp plug	P	√ √
	A06	6-pin amp plug [note]	P	√
	Y1/Y2 02	2-pin round plug	B	√ √
	Y1/Y2 02	4-pin round plug	P	√ √
	H03	3-pin aviation plug	B	√ √
	H04	4-pin aviation plug	P	√ √ √
	H04B	4-pin aviation plug	P	
	T02	2-pin MY motor plug	B	
	T04	4-pin MY motor plug	P	

Note: 6-pin AMP plug is suitable for 6-pin power and brake cables, the cable type is "P"

E □□□ - DB09 □□ A09
 ① ② ③ ④ ⑤

①	Code	Cable type	
	E	Encoder cable	
②	Code	Cable length	
	030	3m	
	050	5m	
	070	7m	
	100	10m	
③	Code	Plug specification	
	DB09	Multi-turn absolute value / incremental	
	DB09	Resolver	
	DB15	Standard incremental / Wire-saving incremental	
	S261	S261 encoder terminal	
④	Code	Encoder specification	
	F0	Standard incremental encoder	
	F1	Wire-saving incremental encoder	
	B0	Incremental subdivision encoder	
	E0	Multi-turn absolute value encoder / magnetic encoder	
	R0	Resolver encoder	
⑤	Code	Motor side encoder connector	Motor classification
	Y1/Y2 09	9-pin round plug	√ √
	Y1/Y2 15	15-pin round plug	√ √
	A09	9-pin amp plug	√ √ √
	A15	15-pin amp plug	√ √
	H15	15-pin aviation plug	√ √ √
	T10	10-pin MY motor plug	
	H07	Special specifications	
	H09	Special specifications	